

POLYMETRON 9500 CONTROLLER

Applications

- Power



One controller for a broad range of sensors.

Save time on design

A single design source and one product platform means you spend less time searching for design files or configuring components. Create and reuse your optimal design templates.

Accelerate your installation

One source, interchangeable components, a common user interface, and one support team make installation faster and less complicated. Quickly and easily transfer user settings between controllers.

Reduce training complexity

A single platform minimises time required to teach and learn product operations, getting new systems in use faster.

Simplify maintenance and operation

Common menu guides reduce variability and provide step-by-step procedures for maintenance and calibration. Standard visual alerts across parameters notify operators when troubleshooting is required.

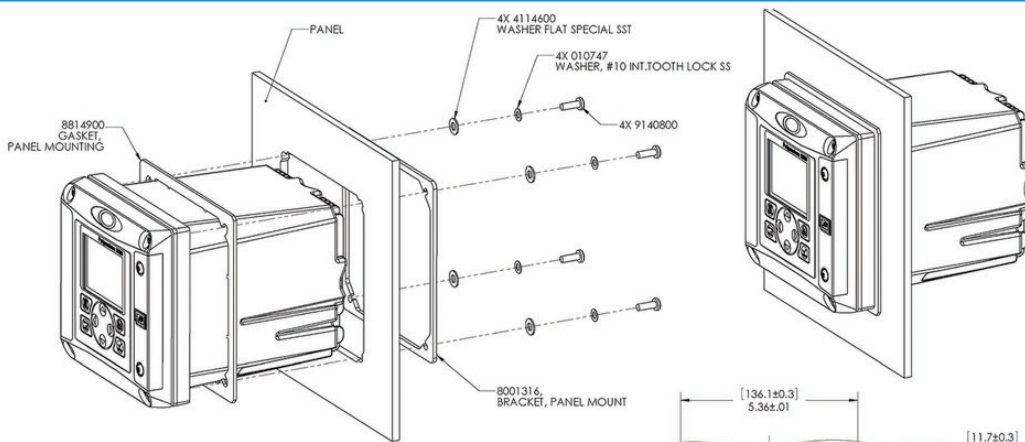
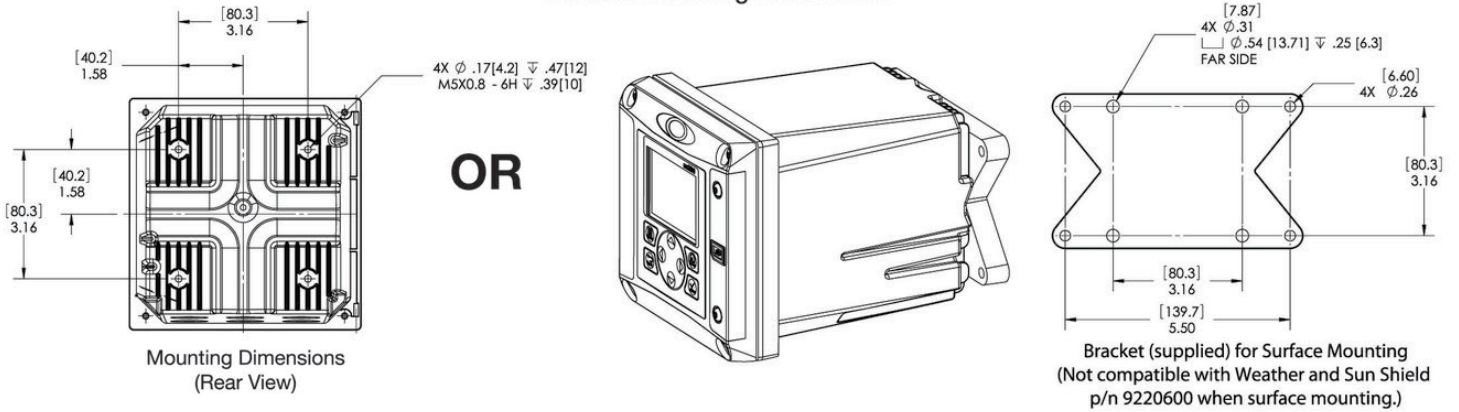
Technical Data*

Dimensions (H x W x D)	144 mm x 144 mm x 181 mm	Enclosure waterproof rating	IP66 / NEMA 4X
Display	Graphic dot matrix LCD with LED backlighting, transreflective	Conduit openings	1/2" NPT Conduit
Display size	48 x 68 mm	Relay:	Primary or secondary measurement, calculated value (dual channel only) or timer/scheduler
Display resolution	240 x 160 pixels	Operational mode	
Weight	1.70 kg	Relay functions	Scheduler (timer), alarm, feeder control, event control, pulse width modulation, frequency control, and warning
Power requirements (Voltage)	100 - 240 V AC, 24 V DC	Relays	Four electromechanical SPDT (Form C) contacts, 1200 W, 5 A
Power requirements (Hz)	50/60 Hz	Communication: digital	Modbus RS232/RS485, Profibus DP, HART
Operating temperature range	-20 - 60 °C at 0 to 95% RH (non-condensing)	Electrical Certifications	EMC CE compliant for conducted and radiated emissions: - CISPR 11 (Class A limits) - EMC Immunity EN 61326-1 (Industrial limits)
Storage conditions	-20 - 70 °C		Safety - General Locations per EN 61010-1
Analogue outputs	Two (Five with optional expansion module) 0/4 to 20 mA isolated current outputs, max. 550 Ω, Accuracy: ±0.1% of FS (20 mA) at 25 °C, ±0.5% of FS over -20 °C to 60 °C range		
Analogue output functional mode	Linear, logarithmic, bi-linear, PID		
Security levels	2		
Mounting configurations	Wall, pole, and panel mounting		

*Subject to change without notice.

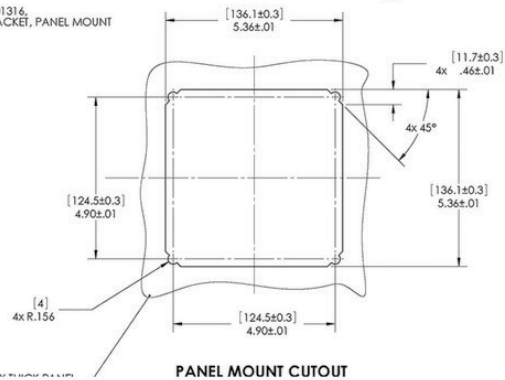
Dimensions

Surface Mounting Dimensions

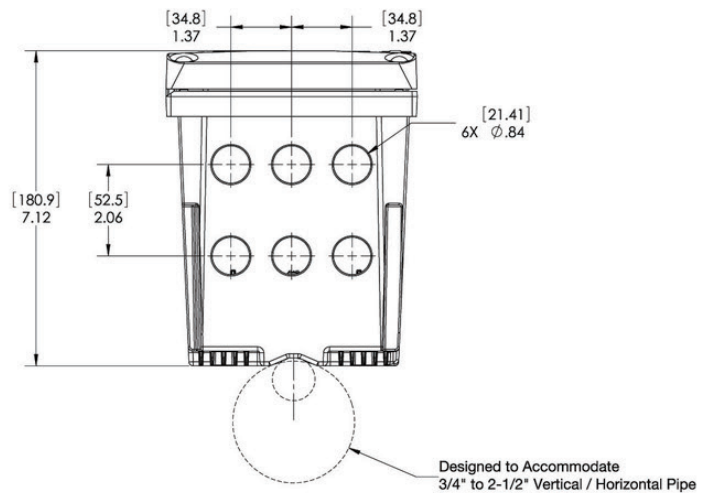
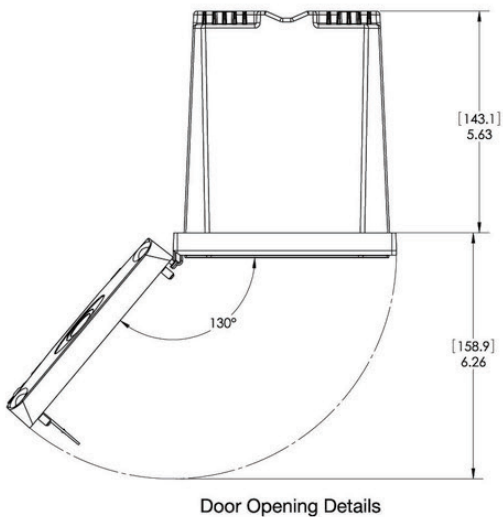


PANEL MOUNT

NOTE: ALL CONNECTIONS ON THE BASE OF THE ENCLOSURE ARE TO BE REMOVED WHEN INSTALLING THE CONTROLLER IN PANEL.



Top and Bottom Views



Order Information

Polymetron 9500 Controllers

9500.99.00604	Polymetron 9500 controller, 1 Channel, Ultrapure conductivity
9500.99.00704	Polymetron 9500 controller, 1 Channel, Ultrapure pH
9500.99.00664	Polymetron 9500 controller, 2 Channel, Ultrapure conductivity
9500.99.00774	Polymetron 9500 controller, 2 Channel, Ultrapure pH

*Note: Other sensor combinations and communications options are available.
Please contact Hach Technical Support or your Hach representative.*

Sensor and Communication Modules

9012805	4-20 mA Input Module
9525700	Analogue pH/ORP Module for Polymetron Sensors
9525800	Analogue Conductivity Module for Polymetron Sensors
9013205	Modbus RS232/485 Module
6792601	Profibus DP Module
9328105	HART Module
9334600	4-20 mA Output Module (provides 3 additional mA Outputs)

Accessories

9218200	SD card reader (USB) for connection to PC
9218100	4 GB SD card



Distribuidor autorizado de HACH en:

 Argentina

Tel: (+54 11) 5352 2500

Email: info@dastecsrl.com.ar

Web: www.dastecsrl.com.ar

 Uruguay www.dastecsrl.com.uy

 Paraguay www.dastecsrl.com.py

www.hach.com



Be Right™